

FLURO®-Gelenklager GmbH

# Rotation Master

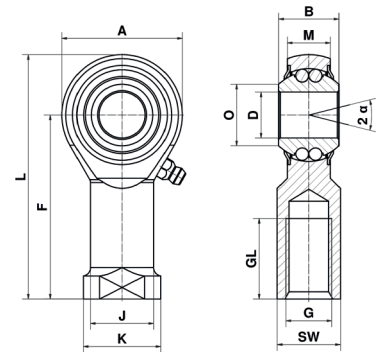
FOR USE AT  
**HIGH SPEEDS**  
BALL-BEARING ROD ENDS



# Rev up: These ball-bearing rod ends can take it.

Rod ends series K with female thread and integrated self-aligning ball-bearing for use at high speeds.

**Rod ends series K (DIN ISO 12240-4) with self-aligning ball-bearing**  
**Series GIB..**



Size (D H7)	B	M	A	F	L	K	J	O	SW	G	GL	Static load rating C <sub>0</sub> kN	Dynam. load rating C kN	Limiting speed revs/min	Tilting angle α (°)	Weight g	Radial intern. clear. μm
6	9	6,75	20	30	40	13	10	8,5	11	M6	12	0,7	3,4	1.620	8	25	10-30
8	12	9	24	36	48	16	12,5	10,1	13	M8	16	1	4,8	1.560	8,5	48	10-30
10	14	10,5	28	43	57	19	15	12,8	17	M10	20	1,5	5,4	1.470	8	63	10-30
12	16	12	32	50	66	22	17,5	15,1	19	M12	22	1,8	6	1.350	7,5	90	10-30
14	19	13,5	36	57	75	25	20	16,8	22	M14	25	2	6,2	1.125	6	131	10-30
16	21	15	42	64	85	27	22	21,4	22	M16	28	2,4	6,9	1.070	8	173	10-30
18	23	16,5	46	71	94	31	25	21,9	27	M18x1,5	32	2,9	7,8	990	8,5	246	10-30
20	25	18	50	77	102	34	27,5	24,4	32	M20x1,5	33	3,5	8,7	900	7	324	10-30
22	28	20	54	84	111	37	30	25,8	32	M22x1,5	37	4	10,2	800	8	416	10-30
25	31	22	60	94	124	42	33,5	29,6	36	M24x2	42	5,7	12,1	660	5	567	10-30
30	37	25	70	110	145	50	40	34,8	41	M30x2	51	7,5	15,6	490	7,5	853	10-30

Individual dimensions available on request.

## Materials

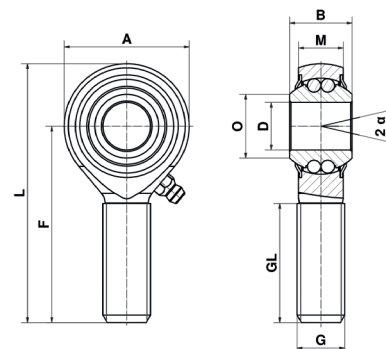
- Housing:** Heat-treated steel, hardened, galvanised, running surface superfinished
- Ball:** Bearing steel, hardened, ground
- Rolling element:** Bearing steel, hardened, ground, polished
- Cover plate:** Stainless steel
- Grease nipple:** Up to size 10 grease nipple to DIN 3405 D1/A  
From size 12 grease nipple to DIN 71412 H1
- Maintenance:** Regreasable, initially greased with aluminium-complex-soap-grease (-45° C to +120° C)



**NEW**  
FROM OUR OWN PRODUCTION

Rod ends series K with male thread and integrated self-aligning ball-bearing for use at high speeds.

**Rod ends series K (DIN ISO 12240-4)  
with self-aligning ball-bearing  
Series GAB..**



Size (D H7)	B	M	A	F	L	O	G	GL	Static load rating C <sub>0</sub> kN	Dynamic load rating C kN	Limiting speed revs/min	Tilting angle α (°)	Weight g	Radial intern. clear. μm
6	9	6,75	20	36	46	8,5	M6	21	0,7	3,4	1.620	8	19	10-30
8	12	9	24	42	54	10,1	M8	25	1	4,8	1.560	8,5	35	10-30
10	14	10,5	28	48	62	12,8	M10	28	1,5	5,4	1.470	8	49	10-30
12	16	12	32	54	70	15,1	M12	32	1,8	6	1.350	7,5	77	10-30
14	19	13,5	36	60	78	16,8	M14	38	2	6,2	1.125	6	106	10-30
16	21	15	42	66	87	21,4	M16	40	2,4	6,9	1.070	8	149	10-30
18	23	16,5	46	72	95	21,9	M18x1,5	44	2,9	7,8	990	8,5	210	10-30
20	25	18	50	78	103	24,4	M20x1,5	47	3,5	8,7	900	7	272	10-30
22	28	20	54	84	111	25,8	M22x1,5	51	4	10,2	800	8	353	10-30
25	31	22	60	94	124	29,6	M24x2	57	5,7	12,1	660	5	460	10-30
30	37	25	70	110	145	34,8	M30x2	71	7,5	15,6	490	7,5	751	10-30

Individual dimensions available on request.

## Materials

**Housing:** Heat-treated steel, hardened, galvanised, running surface superfinished

**Ball:** Bearing steel, hardened, ground

**Rolling element:** Bearing steel, hardened, ground, polished

**Cover plate:** Stainless steel

**Grease nipple:** Up to size 10 grease nipple to DIN 3405 D1/A  
From size 12 grease nipple to DIN 71412 H1

**Maintenance:** Regreasable, initially greased with aluminium-complex-soap-grease (-45° C to +120° C)

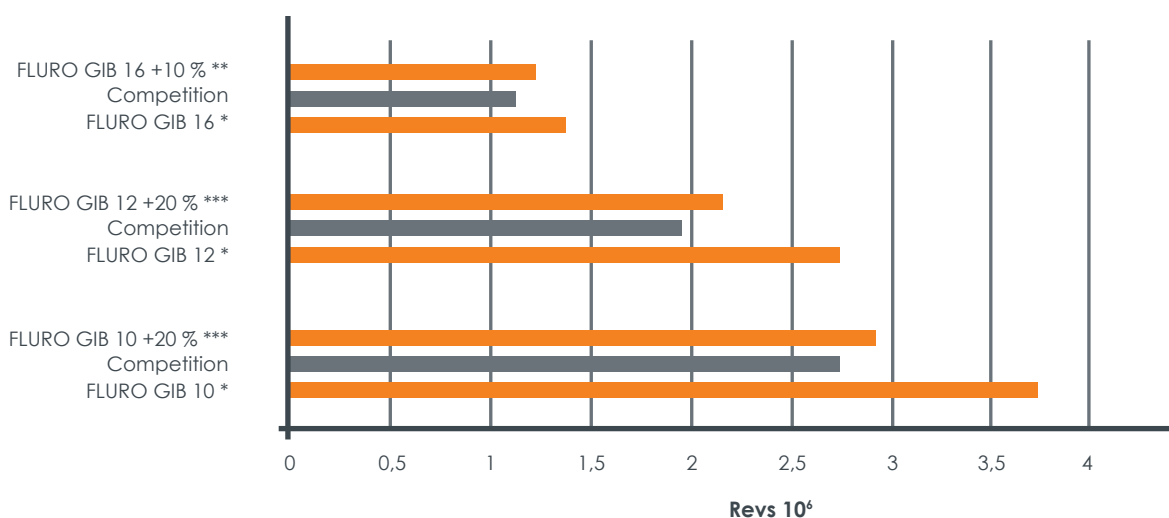


# They feel comfortable with high speeds: Our Rotation Masters.

## Significantly longer service lifetime proven

Service lifetime tests have shown that our ball bearings have a significantly longer service lifetime than comparable competitive products. Even through the increase of the permissible dynamic load capacity and the permissible speed of up to 20 %, a longer service lifetime could be achieved (see diagram).

Due to a special surface finishing, which prevents hydrogen embrittlement, our Rotation Masters are also suitable for aviation applications.



\* Base value of the permissible dynamic load capacity and permissible speed from competing product

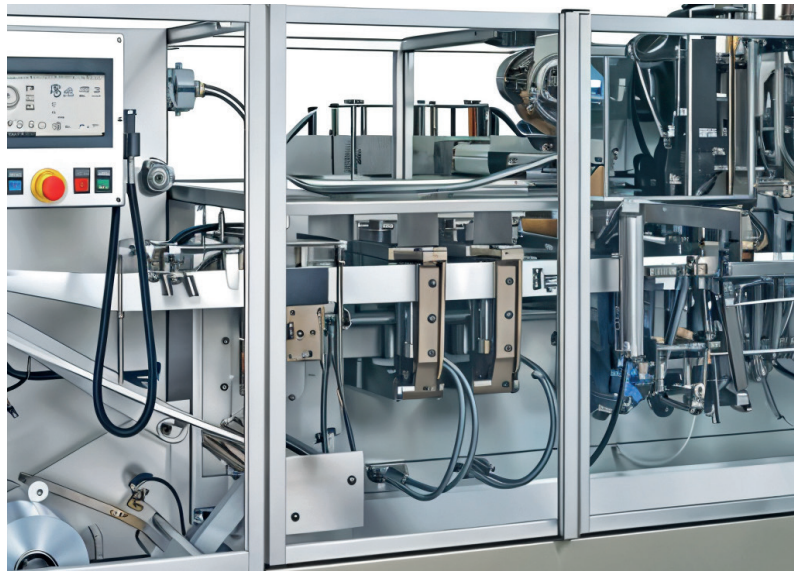
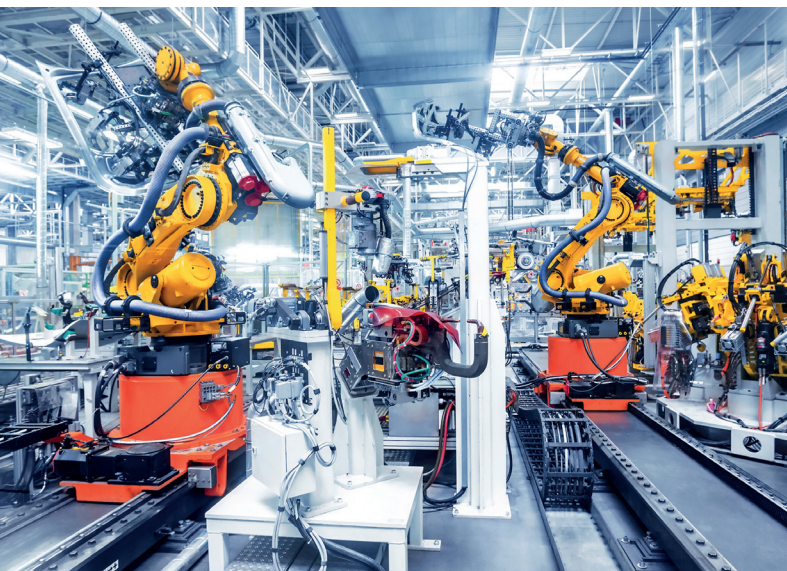
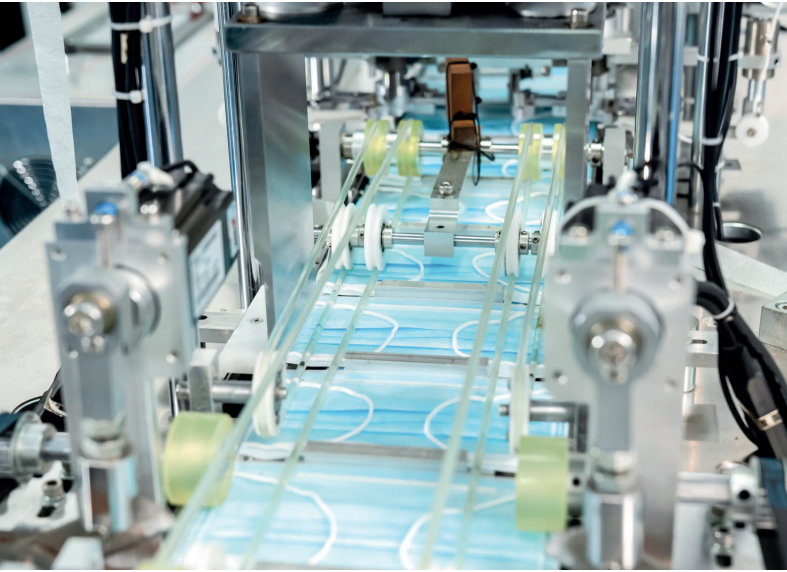
\*\* Increase of the permissible dynamic load capacity and the permissible speed of competing product of 10 %

\*\*\* Increase of the permissible dynamic load capacity and the permissible speed of competing product of 20 %

## Service lifetime tested on a test bench proves



- ✓ **Equivalent** to competition
- ✓ **Higher** dynamic load ratings and **higher** speeds
- ✓ **Significantly longer** service lifetime than comparable competitive products
- ✓ **Less** material wear, **longer** maintenance intervals
- ✓ **Consistently** smooth running until end of service life



**Welcome**  
to the solutions area.

# Our specialists for maximum mobility: **Ball-bearing rod ends.**



SCAN & WATCH

